

Wastewater Process

Submersible pumps from 2" up to 4"

Series Description BGP-OCEP



Description

Oxygen aeration of wastewater, aquaculture or hydroponics applications.

- Wastewater treatment.
- Sewage pumping.
- Sewage treatment plants.
- Manure pumping in farms.
- High oxygen transfer rate.
- Build in cast iron.

Features:

- Vortex impeller with non-clog capability.
- Silicon carbide dual Mechanical Seal.
- Operation with frequency converter
- Longitudinally watertight cable inlet.
- Smooth operation
- Simple installation via suspension unit or pump base.

Technical Data:

- Standard power connection for 60Hz, Single phase 1Ø available 120v-240v, three phase 3Ø available from 208-230/460v (other voltages on request)
- Protection IP68
- Insulation Class: F
- Free passage from 1-1/4" thru 2".
- Max fluid temperatura: 37 °F - 104°F (3°- 40°F)
- Max immersion depth: 10m

Materials:

- Motor Housing: ASTM-A48
- Hydraulic Housing: ASTM-A48
- Impeller: ASTM-A48
- Mechanical seal: Silicon carbide
- Shaft end: AISI410
- Oil Chamber: ASTM-A48

Options:

- Guide rail device with upper guide.
- Ejector mix chamber and diffuser.
- Switch gears.



Model Number:

Example

BGP-OCEP-037KW-P-N-C-6-T

OCEP: Series Name

037KW: Motor Power

- 1,5KW: 1,5kw(2HP)
- 2,2KW: 2,2Kw(3HP)
- 3,7KW: 3,7Kw(5HP)
- 5,5KW: 5,5Kw(7.5HP)

P: Discharge Diameter

- P: 2" (50mm)
- Q: 3"(75mm)
- R: 4"(100mm)

N: Discharge flange thread

- N: NPT Thread
- B: BSP Thread

C: Motor Voltage

- C: 115v
- D: 230v
- E: 208-230v
- F: 460v

6: Frequency

- 6: 60H
- 5: 50Hz

T: Phase

- T: Three phase
- S: Single phase

Dry Running:

Dry running operation of the BGP-OCEP series is not possible.

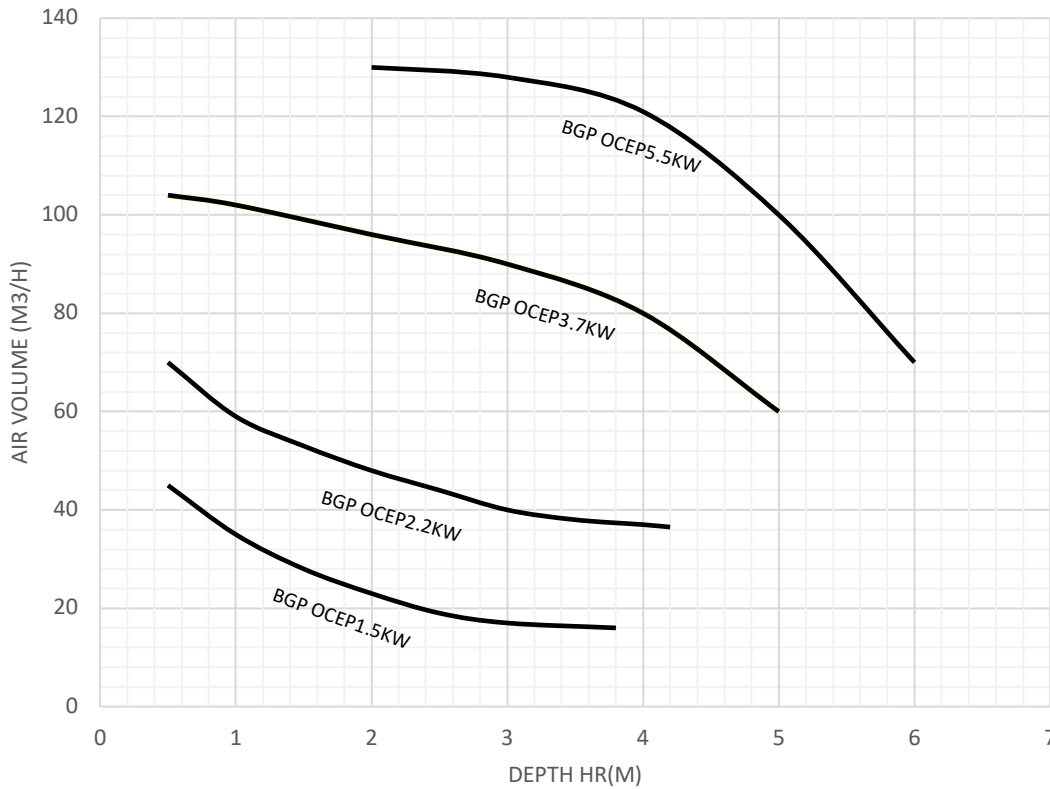
The pump casing must always be submerged, please use a switch gear with floating switch, the system should shut down automatically once the minimum water submersion is reached

Wastewater Process
Submersible pumps from 2" up to 4"
Series Description BGP-OCEP



General performance curves and information for OCEP models

GENERAL BGP OCEP (2HP-7.5HP) CURVE CHART



MODEL	HP	RATED PERFORMANCE			SUIT AERATION TANK		
		AIR (M ³ /hr)	OTR (KgO ₂ /hr)	HR (M)	L (M)	W (M)	H (M)
OCEP1.5KW	2	22	0.9~1.1	2.5	4.0	3.5	3.5
OCEP2.2KW	3	40	1.9~2.2	3.0	5.0	4.5	4.0
OCEP3.7KW	5	85	3.0~3.8	3.5	6.0	5.0	5.0
OCEP5.5KW	7.5	120	4.2~5.2	4.0	7.0	6.0	6.0

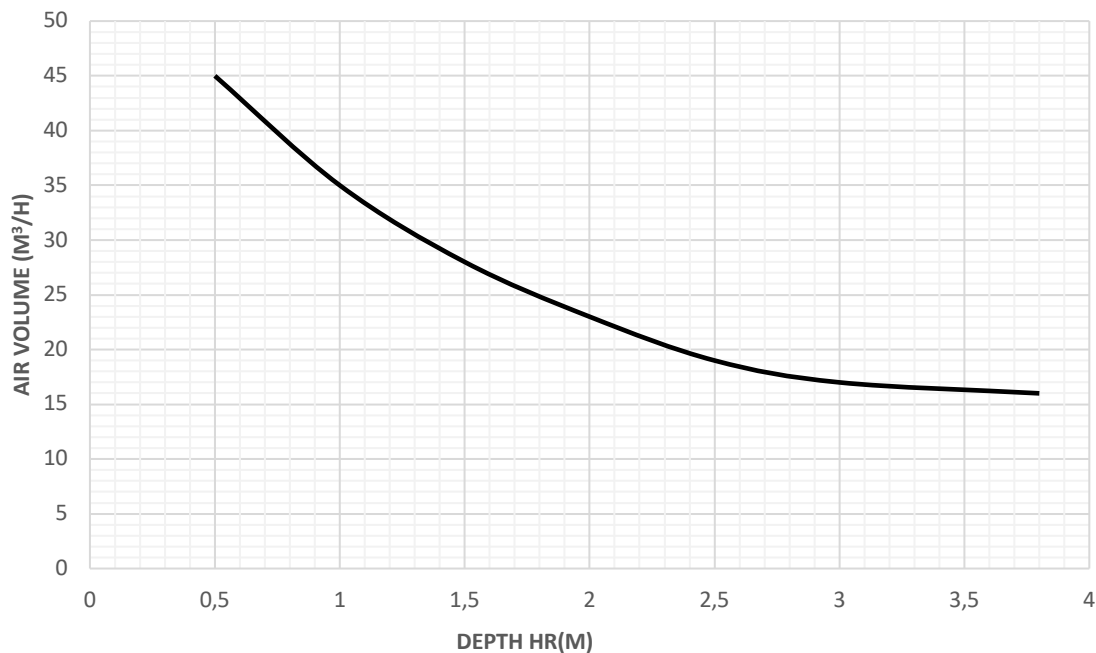
Wastewater Process
Submersible pumps from 2" up to 4"
Series Description BGP-OCEP



Pump Curve, Technical data BGP-OCEP1.5KW series 3450rpm

Pump Type	Type of Impeller	Discharge [in/mm]	Threaded Flange	Suspension Device	Solids [in/mm]	Weight [kg/lbs]
OCEP01.5	Vortex	2" – 50mm	NPT	Available	1-1/4" - 35mm	40kg – 88lbs

BGP-OCEP1.5KW 60Hz 3450rpm 2HP

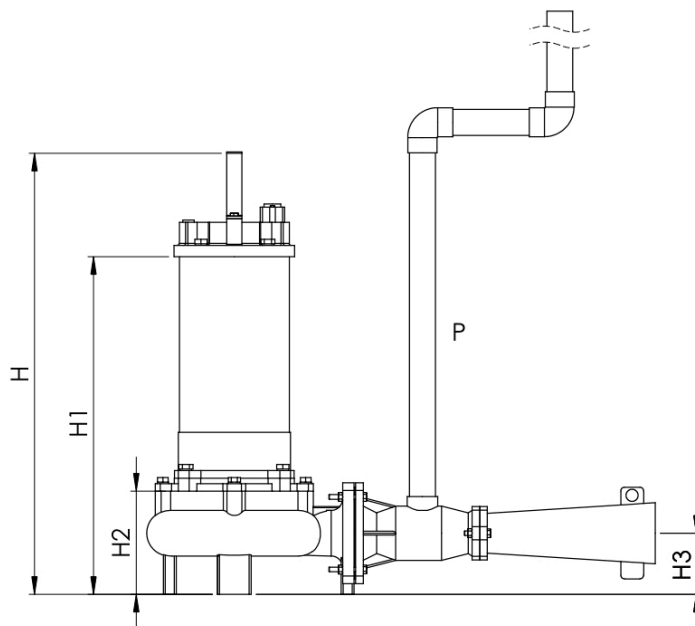
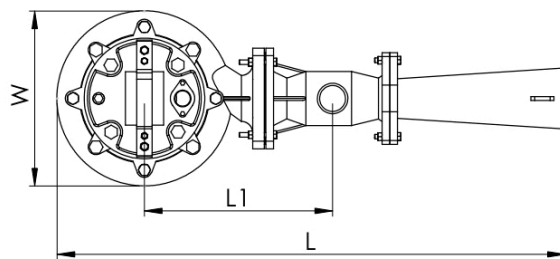


MOTOR AND MODEL INFORMATION								
Part Number	Model	HP	Kw	Phase	Volts	RPM	FLA	Max. Amps
180420	BGP-OCEP1.5KWPND6S	2HP	1,5Kw	1	230v	3450	12 Amps	14,4 Amps
180421	BGP-OCEP1.5KWPNE6T	2HP	1,5Kw	3	208-230v	3450	6 Amps	7,2 Amps
180422	BGP-OCEP1.5KWPNF6T	2HP	1,5Kw	3	460v	3450	3,5Amps	7,2 Amps

Wastewater Process
Submersible pumps from 2" up to 4"
Series Description BGP-OCEP



Dimensional Drawings BGP-OCEP1.5 series 3450rpm



	L	L1	W	H	H1	H2	H3	P
[mm]	719	246	208	548	400	122	72	40
["]	28.30	9.68	8.18	21.57	15.74	4.80	2.83	1.57

Wastewater Process

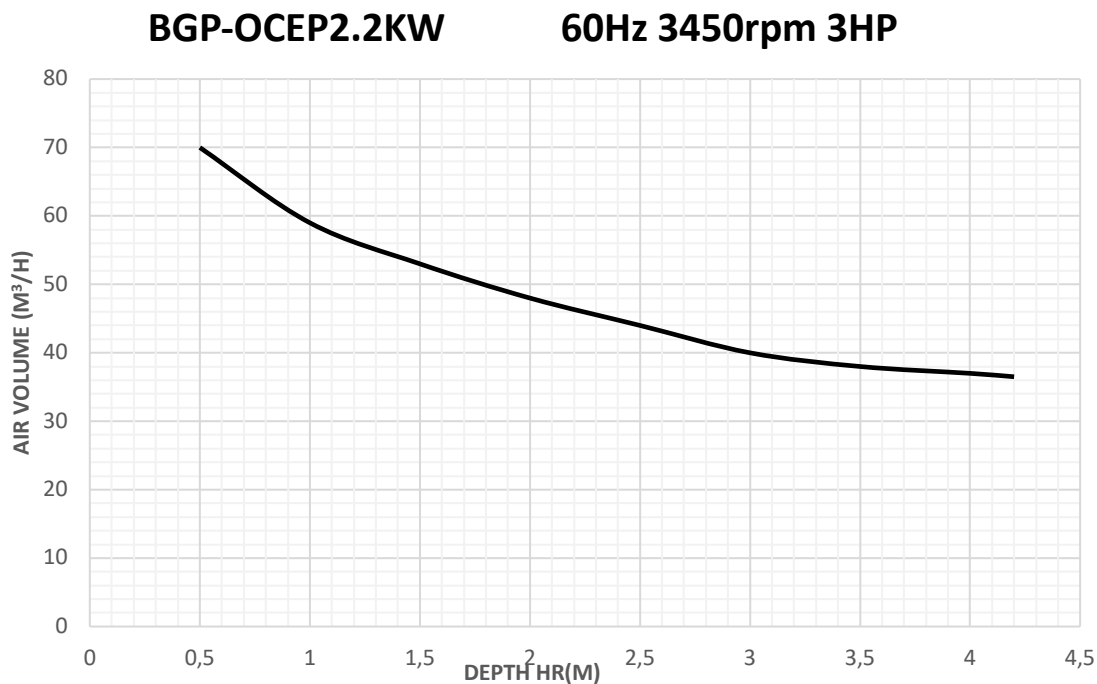
Submersible pumps from 2" up to 4"

Series Description BGP-OCEP



Pump Curve, Technical data BGP-OCEP2.2KW series 3450rpm

Pump Type	Type of Impeller	Discharge [in/mm]	Threaded Flange	Suspension Device	Solids [in/mm]	Weight [kg/lbs]
OCEP2.2	Vortex	2" – 50mm	NPT	Available	1-1/4" - 35mm	42kg – 92lbs

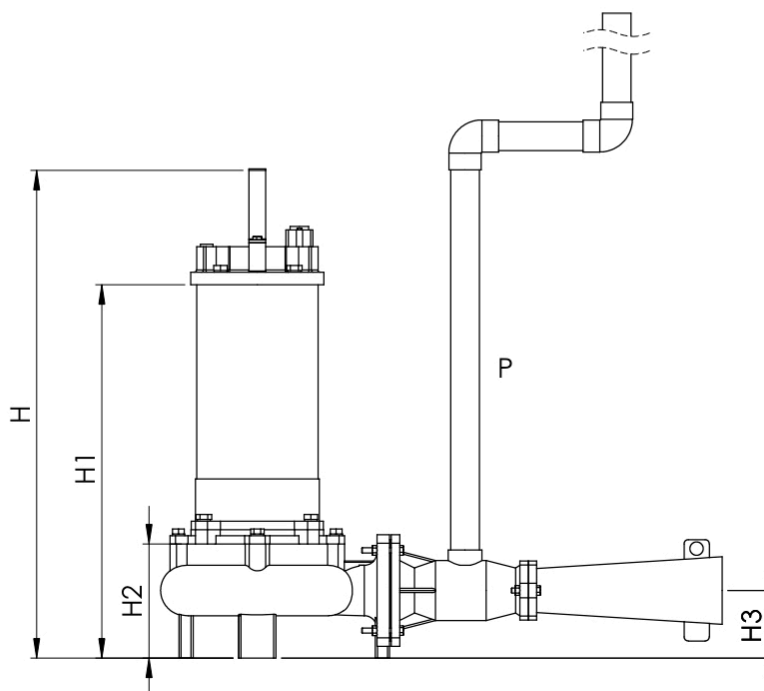
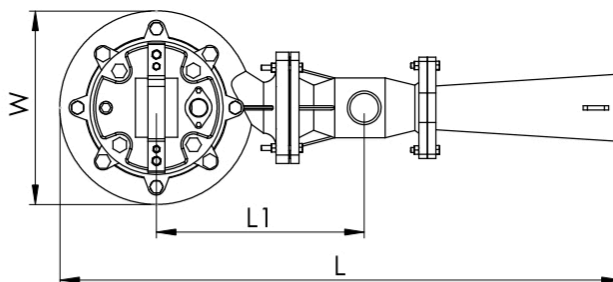


MOTOR AND MODEL INFORMATION								
Part Number	Model	HP	Kw	Phase	Volts	RPM	FLA	Max. Amps
180423	BGP-OCEP2.2KWPND6S	3HP	2,2Kw	1	230v	3450	18 Amps	21,6 Amps
180424	BGP-OCEP2.2KWPNE6T	3HP	2,2Kw	3	208-230v	3450	9 Amps	10,8 Amps
180425	BGP-OCEP2.2KWPNF6T	3HP	2,2Kw	3	460v	3450	5,5Amps	6,6 Amps

Wastewater Process
Submersible pumps from 2" up to 4"
Series Description BGP-OCEP



Dimensional Drawings BGP-OCEP2.2 series 3450rpm



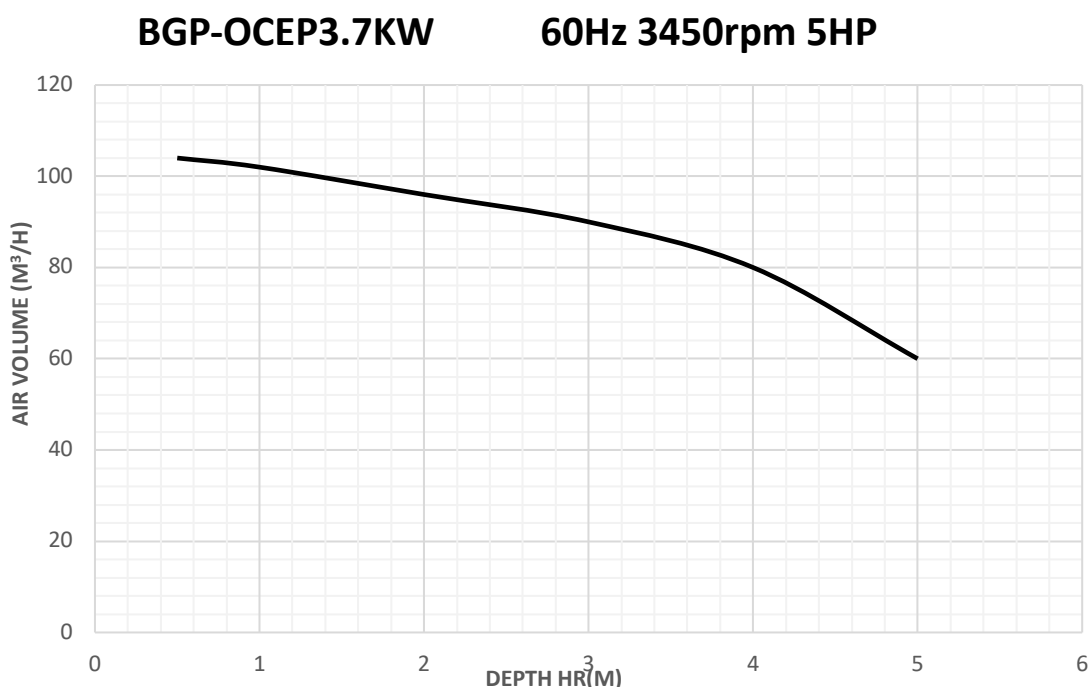
	L	L1	W	H	H1	H2	H3	P
[mm]	719	246	208	568	420	122	72	40
["]	28.30	9.68	8.32	22.36	16.53	4.80	2.83	1.57

Wastewater Process
Submersible pumps from 2" up to 4"
Series Description BGP-OCEP



Pump Curve, Technical data BGP-OCEP3.7KW series 3450rpm

Pump Type	Type of Impeller	Discharge [in/mm]	Threaded Flange	Suspension Device	Solids [in/mm]	Weight [kg/lbs]
OCEP3.7	Vortex	3" – 80mm	NPT	Available	2" - 50mm	68kg – 149lbs

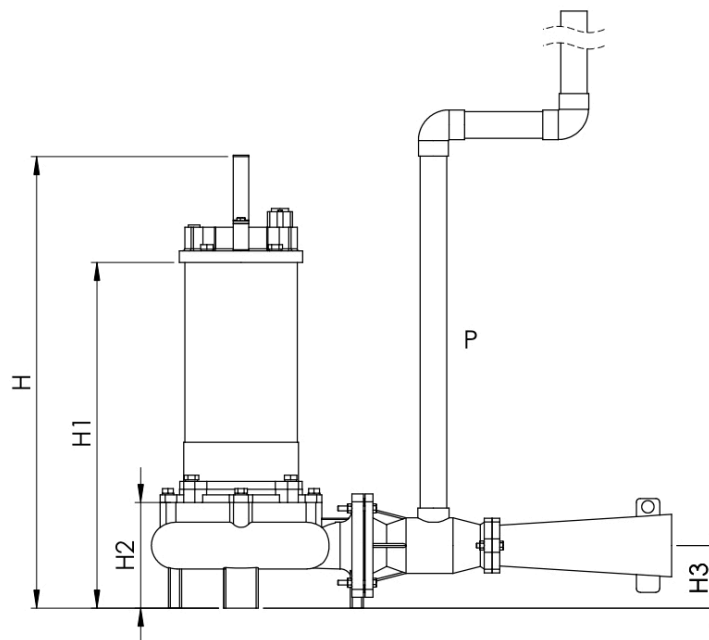
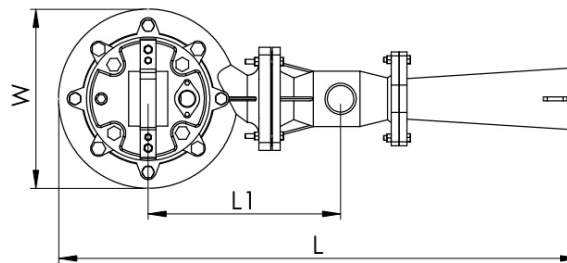


MOTOR AND MODEL INFORMATION								
Part Number	Model	HP	Kw	Phase	Volts	RPM	FLA	Max. Amps
180426	BGP-OCEP3.7KWQNE6T	5HP	3.7Kw	3	208-230v	3450	15 Amps	18,2 Amps
180427	BGP-OCEP3.7KWQNF6T	5HP	3.7Kw	3	460v	3450	8,6Amps	10,4 Amps

Wastewater Process
Submersible pumps from 2" up to 4"
Series Description BGP-OCEP



Dimensional Drawings BGP-OCEP3.7 series 3450rpm



	L	L1	W	H	H1	H2	H3	P
[mm]	769	290	227	633	468	160	92	50.8
["]	30.27	11.41	8.93	24.92	18.42	6.29	3.62	2

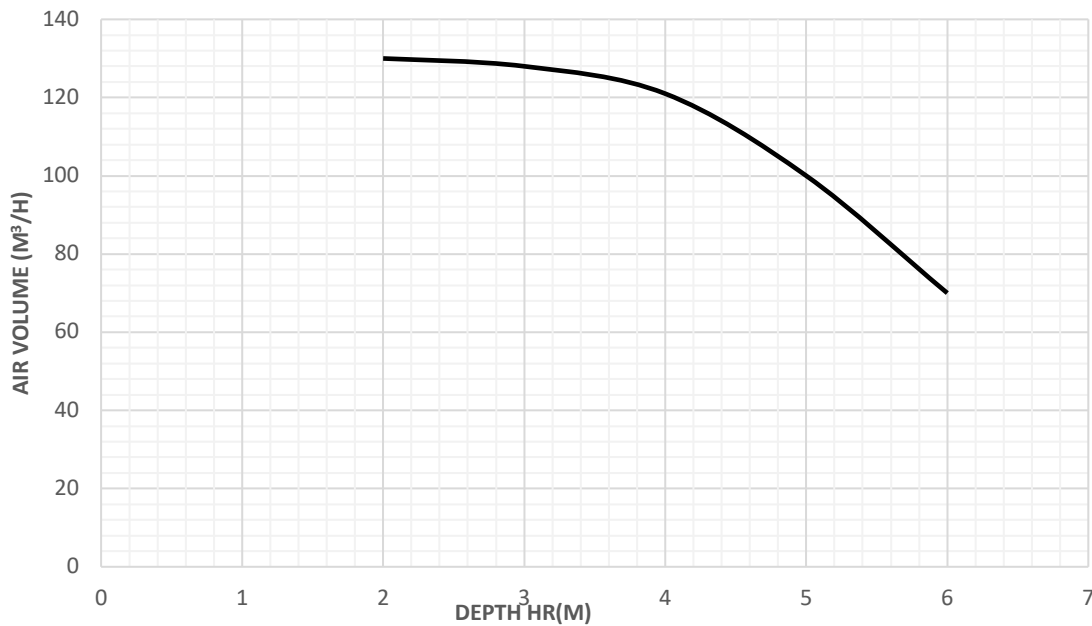
Wastewater Process
Submersible pumps from 2" up to 4"
Series Description BGP-OCEP



Pump Curve, Technical data BGP-OCEP5.5KW series 3450rpm

Pump Type	Type of Impeller	Discharge [in/mm]	Threaded Flange	Suspension Device	Solids [in/mm]	Weight [kg/lbs]
OCEP5.5	Vortex	3" – 80mm	NPT	Available	2" - 50mm	74kg – 163lbs

BGP-OCEP5.5KW 60Hz 3450rpm 7.5HP

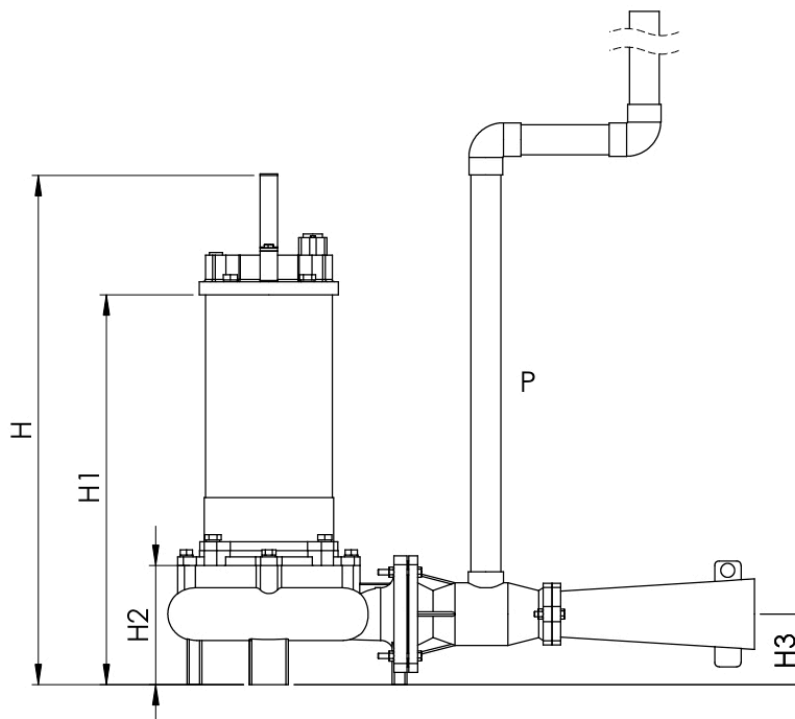
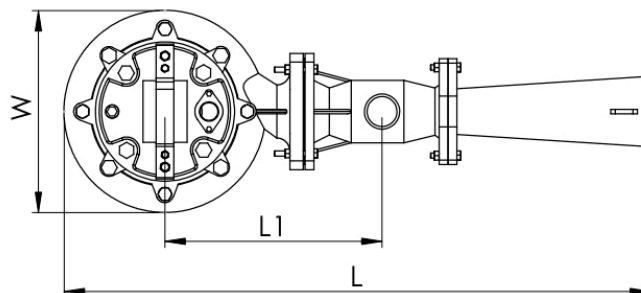


MOTOR AND MODEL INFORMATION								
Part Number	Model	HP	Kw	Phase	Volts	RPM	FLA	Max. Amps
180428	BGP-OCEP5.5KWQNE6T	7.5HP	5.5Kw	3	208-230v	3450	21 Amps	25,2 Amps
180429	BGP-OCEP5.5KWQNF6T	7.5HP	5.5Kw	3	460v	3450	12Amps	14,4 Amps

Wastewater Process
Submersible pumps from 2" up to 4"
Series Description BGP-OCEP



Dimensional Drawings BGP-OCEP5.5 series 3450rpm



	L	L1	W	H	H1	H2	H3	P
[mm]	769	290	227	673	508	160	92	50.8
["]	30.27	11.41	8.93	26.49	20	6.29	3.62	2